

MT-242048/NRH

865 - 956 MHz, 7.5 dBic Reader Antenna



Specifications

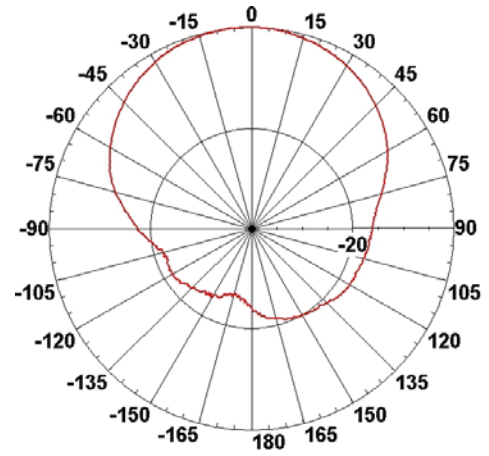
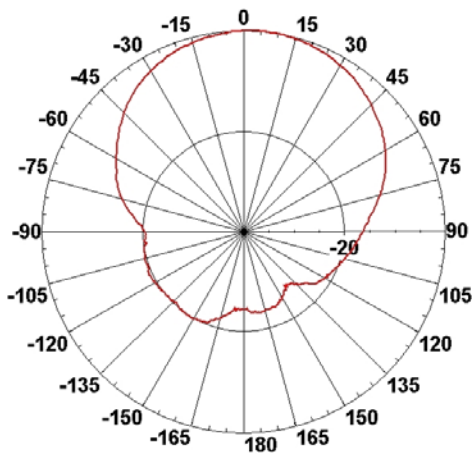
MTI PART NUMBER		MT-242048/NRH		
ELECTRICAL				
FREQUENCY RANGE	865 - 956 MHz			
GAIN	865-870 MHz @ 7.0 dBic (min) , 8.5 dBic (max) 902-928 MHz @ 7.5 dBic (min) , 8.5 dBic (max) 950-956 MHz @ 7.0 dBic (min) , 8.0 dBic (max)			
VSWR	1.2:1 (typ) 1.35 : 1(max)			
3 dB BEAMWIDTH	70° (max) 70° (max)			
POLARIZATION	RHCP			
AXIAL RATIO	865-870 MHz @ 3 dB (max) 902-928 MHz @ 1.3 dB (max) 950-956 MHz @ 2.5 dB (max)			
F/B RATIO	-20 dB (max)			
INPUT IMPEDANCE	50 ohm			
INPUT POWER	6W (max)			
LIGHTNING PROTECTION	DC Grounded			
MECHANICAL				
DIMENSIONS (LxWxD)	261 x 261x30mm (max)			
WEIGHT	1 Kgs (max)			
CONNECTOR	N-Type Female			
RADOME	Plastic			
BASE PLATE	Aluminum with chemical conversion coating			
MOUNTING KIT	MT-120018			
ENVIRONMENTAL				
TEST	STANDARD	DURATION	TEMPERATURE	NOTES
Low Temperature	IEC 68-2-1	72 h	-55°C	-
High Temperature	IEC 68-2-2	72 h	+71°C	-
Temp. Cycling	IEC 68-2-14	1 h	-45°C +70°C	3 Cycles
Thermal Shock				-30°C to +70°C
Non-Operating				
Humidity	ETSI EN300-2-4 T4.1E	144 h	-	95%
Water Tightness*	IEC 529	-	-	IP67
Dust Resistance*				IP67
Solar Radiation	ASTM G53	1000 h	-	-
Ozone Resistance	ETSI 300			
Flammability	UL 94	-	-	Class HB
Salt Spray	IEC 68-2-11 Ka	500 h	-	-
Quasi Random Vibration				20g rms for 4 hours
Vehicle Vibration	1g rms, 10-500 Hz,			
Operating	in 3 axis			
Mechanical Shock	10g, 11 msec,			
Operating	half sine pulse			

MT-242048/NRH

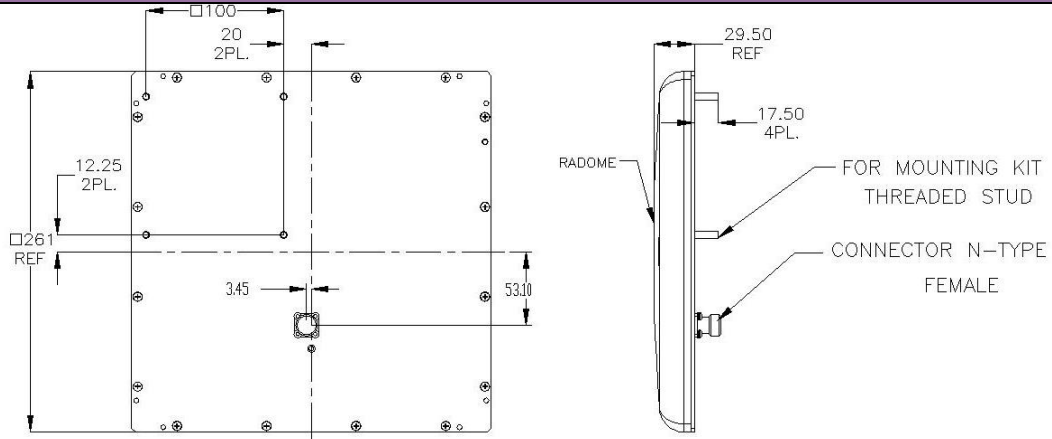
865 - 956 MHz, 7.5 dBic Reader Antenna



Azimuth Radiation Pattern Midband Freq. 0.902 GHz **Elevation Radiation Pattern Midband Freq. 0.902 GHz**



Dimensions [mm]



Existing Antenna Versions

--	--

MTI Wireless Edge is certified according to ISO 9001 and ISO 14001.

WAIVER!
 While the information contained in this document has been carefully compiled to the best of our present knowledge, it is not intended as presentation or warranty of any kind on our part regarding the fitness of the products concerned for any particular use or purpose and neither shall any statement contained herein be construed as a recommendation to infringe any industrial property rights or as a license to use any such rights. The fitness of each product for any particular purpose must be checked beforehand with our specialists.

MTI Wireless Edge Ltd.
 11 Hamelacha St.
 Afek Industrial Park
 Rosh Ha'ayin 48091, Israel
 Tel: +972-3-9008900
 Fax: +972-3-9008901
www.mtiwe.com

Document No: MT-242048/NRH
 Issued: 20/05/2009

Uncontrolled Copy