

## MT-242025/NRH

### 865-956 MHz, 7.5 dBic, Reader Antenna



#### Specifications

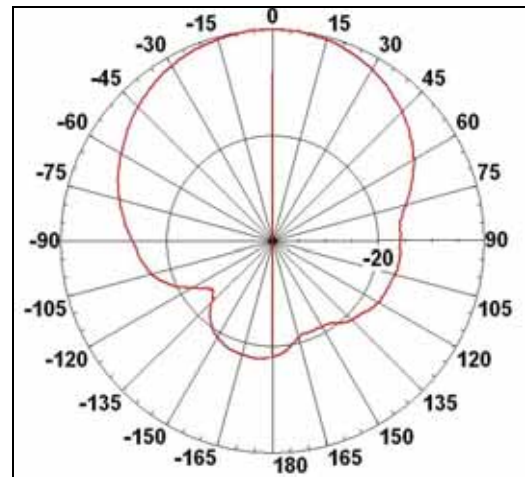
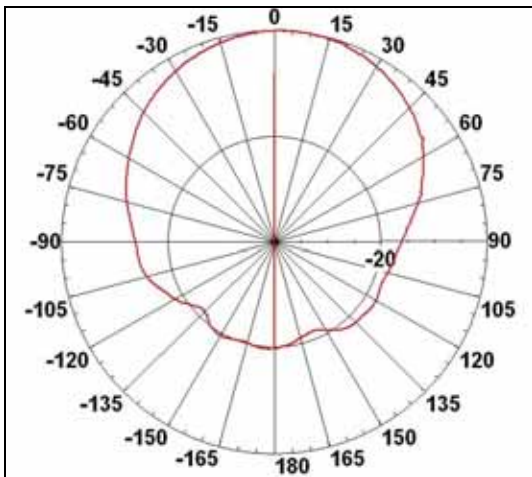
| MTI PART NUMBER             |   | MT- 242025/NRH   |                |                     |
|-----------------------------|---|--|----------------|---------------------|
| <b>ELECTRICAL</b>           |   |  |                |                     |
| FREQUENCY RANGE             | 865 - 956 MHz                                 |  |                |                     |
| GAIN                        | 865-870 MHz @ 7 dBic (min)                    |  |                |                     |
|                             | 902-928 MHz @ 7.5 dBic (min)                  |  |                |                     |
|                             | 950-956 MHz @ 6.5 dBic (min)                  |  |                |                     |
| VSWR                        | 1.2:1 (typ) 1.35 : 1(max)                     |  |                |                     |
| 3 dB BEAMWIDTH              | AZ: 74° (typ), EL: 72° (typ)                  |  |                |                     |
| POLARIZATION                | RHCP *See <i>Other Antenna Versions</i> below |  |                |                     |
| AXIAL RATIO                 | 865-870 MHz @ 3 dB (max)                      |  |                |                     |
|                             | 902-928 MHz @ 1.3 dB (max)                    |  |                |                     |
|                             | 950-956 MHz @ 2.5 dB (max)                    |  |                |                     |
| F / B RATIO                 | -18 dB (max)                                  |  |                |                     |
| INPUT IMPEDANCE             | 50 (Ohm)                                      |  |                |                     |
| INPUT POWER                 | 6 W (max)                                     |  |                |                     |
| LIGHTNING PROTECTION        | DC Grounded                                   |  |                |                     |
| <b>MECHANICAL</b>           |   |  |                |                     |
| DIMENSIONS (LxWxD)          | 190 x 190 x 30 mm (max)                       |  |                |                     |
| WEIGHT                      | 0.8 (Kgs) (max)                               |  |                |                     |
| CONNECTOR                   | N-Type female                                 |  |                |                     |
| RADOME                      | Plastic                                       |  |                |                     |
| BASE PLATE                  | Aluminum with chemical conversion coating     |  |                |                     |
| OUTLINE DRAWING             | See page 2                                    |  |                |                     |
| MOUNTING KIT                | MT-120018/A                                   |  |                |                     |
| <b>ENVIRONMENTAL</b>        |   |  |                |                     |
| TEST                        | STANDARD                                      | DURATION   | TEMPERATURE    | NOTES               |
| TEMPERATURE                 | IEC 68-2-1/2                                  | 72 h   | -55°C to +71°C | -                   |
| TEMP. CYCLING               | IEC 68-2-14                                   | 1 h  | -45°C +70°C    | 3 Cycles            |
| THERMAL SHOCK NON-OPER.     |   |  | -30°C to +70°C | Ramp 30°C/min       |
| HUMIDITY                    | ETSI EN300-2-4 T4.1E                          | 144 h  | -              | 95%                 |
| WATER TIGHTNESS*            | IEC 529                                       | -  | -              | IP54                |
| DUST RESISTANCE*            |   |  |                | IP54                |
| SOLAR RADIATION             | ASTM G53                                      | 1000 h   | -              | -                   |
| OZONE RESISTANCE            | ETSI 300                                      |  |                |                     |
| FLAMMABILITY                | UL 94   | -  | -              | Class HB            |
| SALT SPRAY                  | IEC 68-2-11 Ka                                | 500 h  | -              | -                   |
| QUASI RANDOM VIBRATION      |   |  |                | 20g rms for 4 hours |
| VEHICLE VIBRATION OPERATING | 1g rms, 10-500 Hz, in 3 axis                  | 6 hours total, 2 hr in each axis. Accelerated wear - an additional 50hrs in worst case axis. |                |                     |
| MECHANICAL SHOCK OPERATING  | 10g, 11 msec, half sine pulse                 |  |                |                     |

MT-242025/NRH

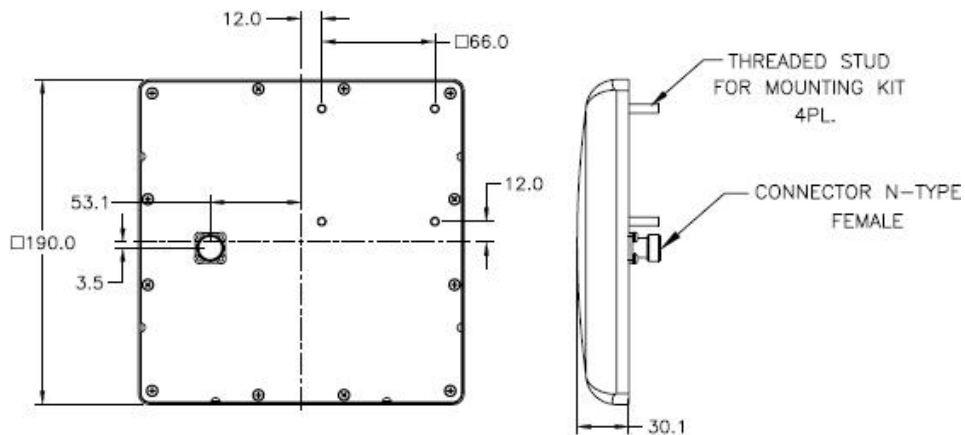
## 865-956 MHz, 7.5 dBic, Reader Antenna

Azimuth Radiation Pattern  
 Midband Freq. 0.915 GHz

Elevation Radiation Pattern  
 Midband Freq. 0.915 GHz



### Dimensions [mm]



### Existing Antenna Versions

|               |                               |
|---------------|-------------------------------|
| MT-242025/NLH | Polarization: LHCP            |
|               | * IP67 AVAILABLE UPON REQUEST |

MTI Wireless Edge is certified according to ISO 9001 and ISO 14001.

#### WAIVER!

While the information contained in this document has been carefully compiled to the best of our present knowledge, it is not intended as presentation or warranty of any kind on our part regarding the fitness of the products concerned for any particular use or purpose and neither shall any statement contained herein be construed as a recommendation to infringe any industrial property rights or as a license to use any such rights. The fitness of each product for any particular purpose must be checked beforehand with our specialists.

MTI Wireless Edge Ltd.  
 11 Hamelacha St.  
 Afek Industrial Park  
 Rosh Ha'ayin 48091, Israel  
 Tel: +972-3-9008900  
 Fax: +972-3-9008901  
[www.mtiwe.com](http://www.mtiwe.com)